
e16 - connection diagram



Revision History

Date	Version	Description
25/03/2025	2.0	Added Model 2025 of the device
14/01/2022	1.0	First version of document



Acronyms

e16: Elements 16 channels amplifier.

ch#: input pins.

GND: ground. The potential of the Faraday cage.

REF: reference.

DUT: device under test. Usually a flow cell with a membrane or a nanopore, but can also be a model cell with resistors and/or capacitors.

BLM: bi-layer membrane. A membrane composed of 2 layers of phospholipids as happens in cell membranes.

EMI: electro-magnetic interference. Environmental noise affecting the measurements.



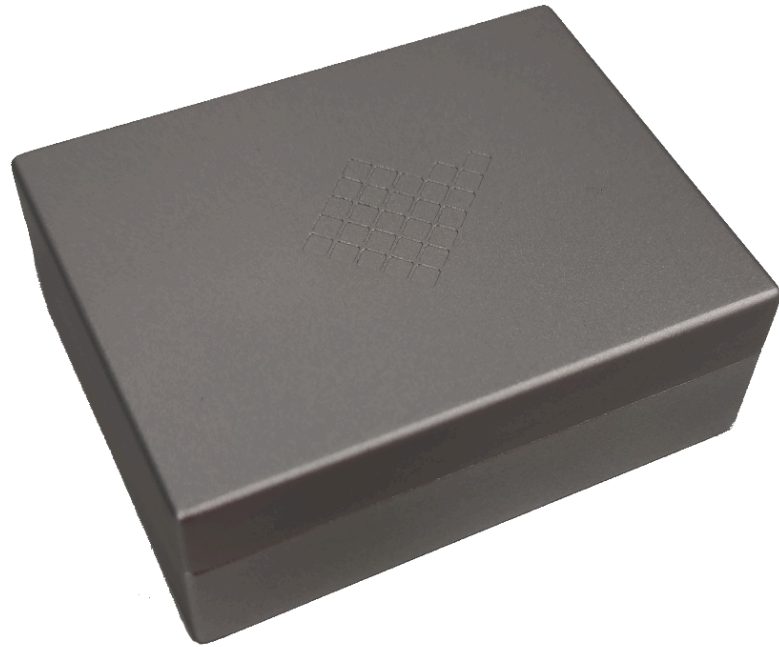
Models

e16 Model 2025





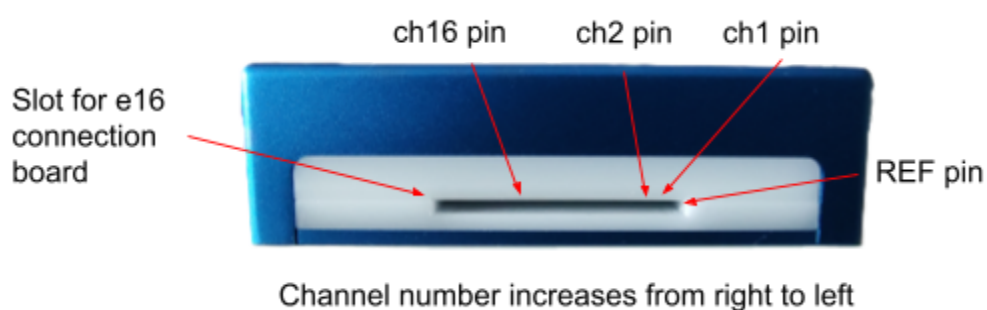
e16 Model 2019





Model 2025 Front and rear view

e16 Model 2025 front-side connections



e16 Model 2025 back-side connections



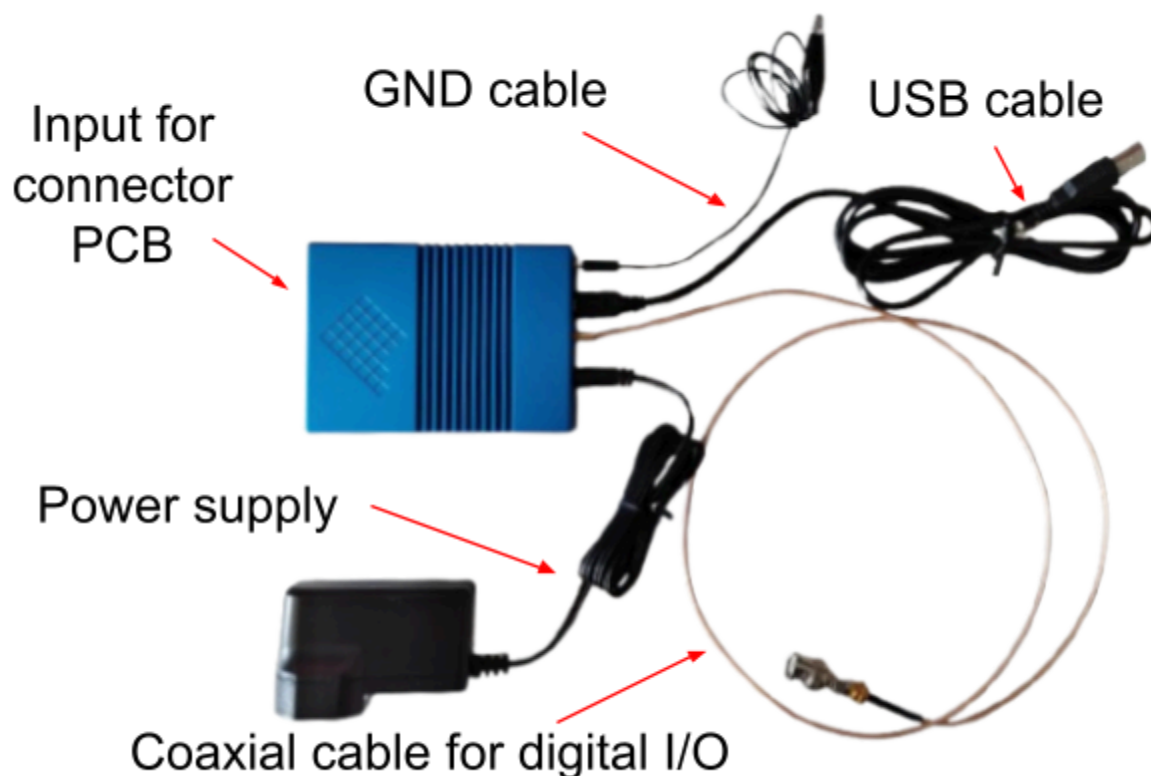


e16 Model 2025 setup

The e16 is directly plugged to the computer via a USB cable and it forms a complete and stand-alone system. The USB cable is used for data communication, while the power is supplied separately.

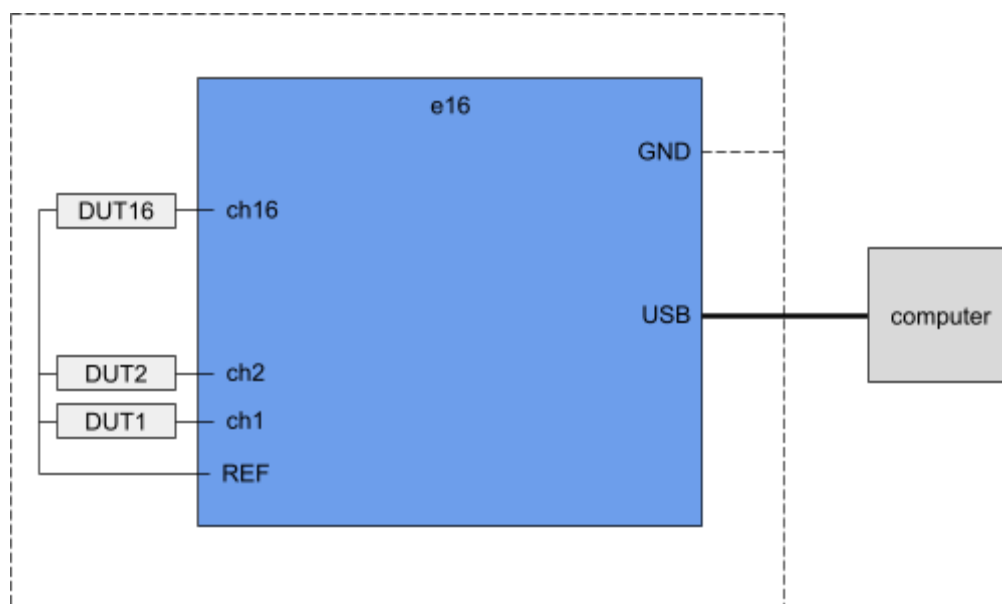
The device should be placed in a Faraday cage that should be connected to the GND plug using the GND cable to shield it from EMI.

IMPORTANT NOTE: do not connect the Faraday cage to any part of the device other than the GND plug in order to avoid short circuits. A good strategy is to add a layer of insulating material (e.g. tape) to the internal surface of the Faraday cage.

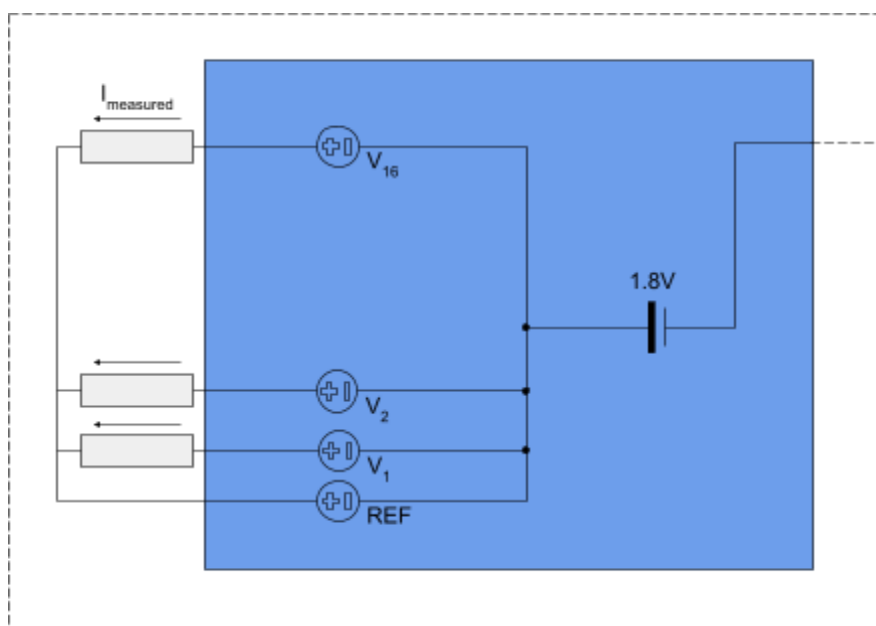


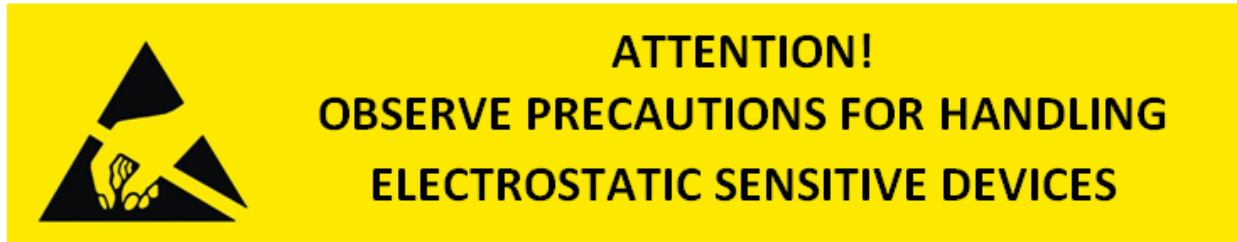


The figure below shows how to connect the e16 to the DUT and to the computer (only 3 channels are shown for clarity).



The scheme below shows how the control voltages are applied and the polarity of the acquired currents.



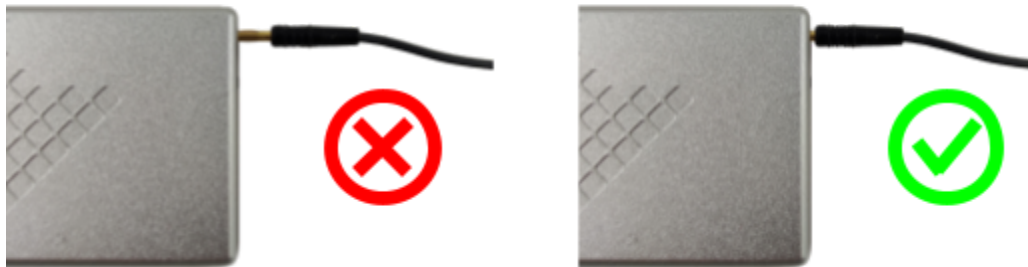


Connections best practices

The way the experiment is set up greatly affects the final quality of the measurements, especially in terms of signal to noise ratio.

In the following some best practices are described to help you get the most out of your device.

- **Shielding with a Faraday cage.** It is strongly recommended to enclose the device and the DUT in a Faraday cage that encloses the whole experimental setup. The Faraday cage must be connected to the GND plug, using the provided GND cable. Notice, when using a Faraday cage that the GND connector pin must fit completely within the amplifier's GND plug, otherwise the connection won't be good enough to provide proper grounding:



- **Avoid coupling with the Faraday cage.** If you are using a Faraday cage try to keep the device, the DUT and the cables between them as far as possible from the Faraday cage to reduce as much as possible the creation of stray capacitances.
- **Reduce the length of cables connecting the DUT.** The longer the cables, the more likely they will collect EMI or create stray capacitances with nearby conductive surfaces (such as the Faraday cage).
- **Avoid other instruments within the Faraday cage.** If you are using a Faraday cage, the e16 is not shielded against the EMI from other instruments within the same Faraday



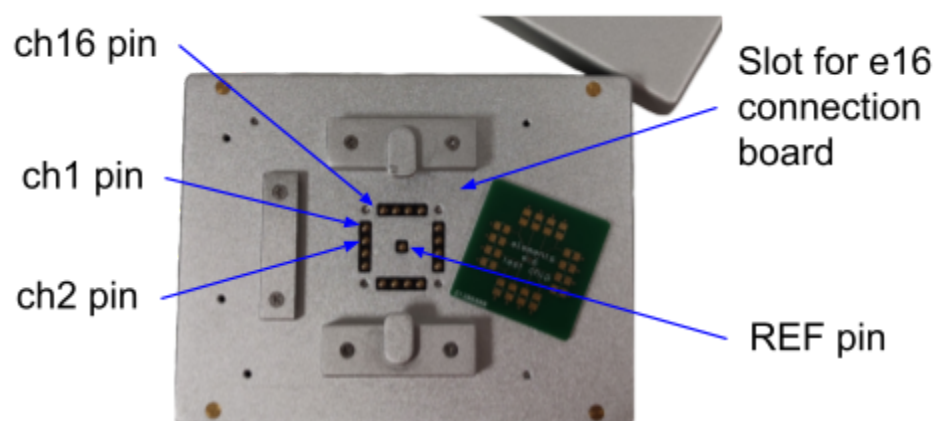
cage. So, if possible, remove them or keep them off to reduce the noise as much as possible.

- **Select instruments within the Faraday cage.** If you need to use other instruments within the same Faraday cage the best way to select your setup is to remove all of the instruments, close the Faraday cage and check the noise in this optimal condition. Then, add one instrument at a time and turn it on, to check how much it affects the measurement. These checks should be performed with the e16 configured as it will during the actual experiment (especially same current range and sampling rate).
- **Proper grounding.** If you are using a desktop computer be sure to power it up with a grounded power outlet or power strip. If you are using additional instruments within the Faraday cage be sure to power them up from a common power outlet or power strip.



Model 2019 Top and rear view

e16 Model 2019 top-side connections



Channel number increases anti-clockwise

e16 Model 2019 back-side connections

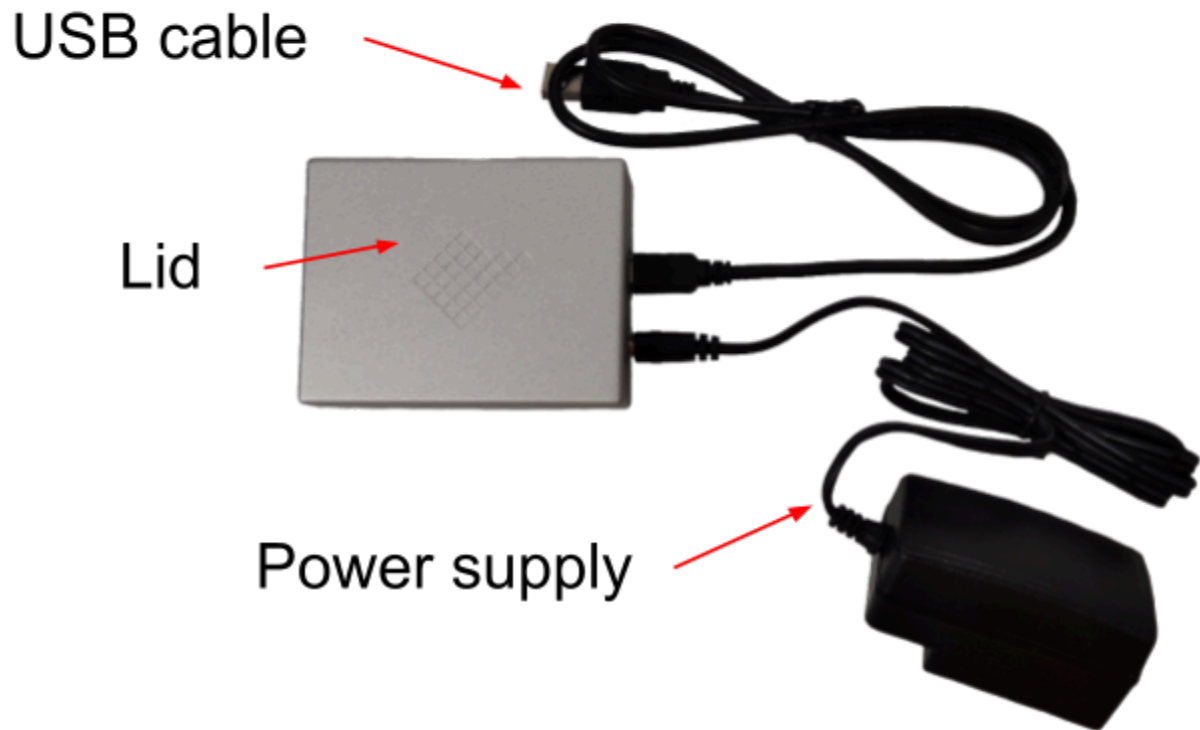




e16 Model 2019 setup

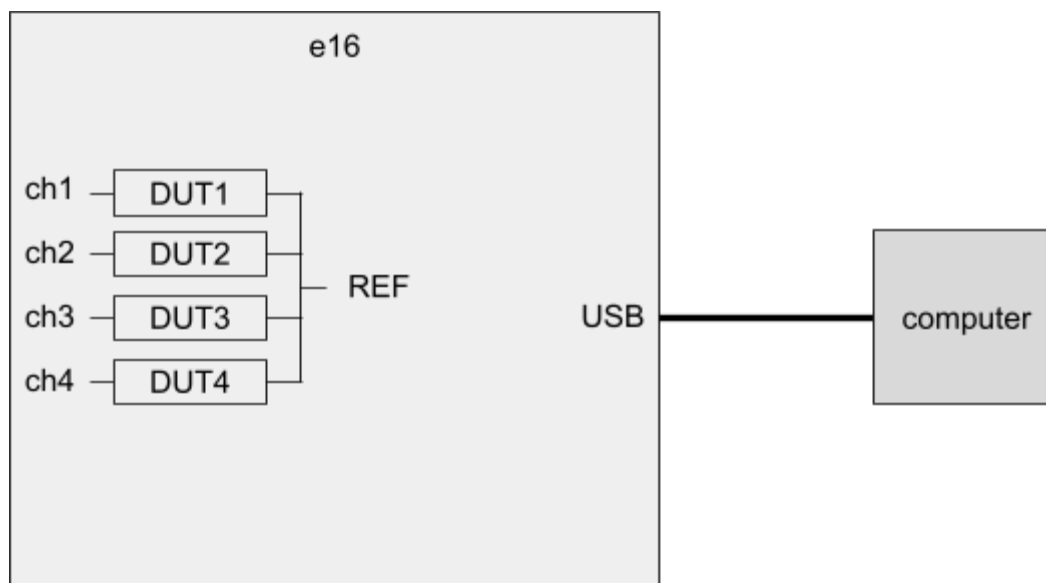
The e16 Model 2019 is directly plugged to the computer via a USB cable and it forms a complete and stand-alone system. The USB cable is used for data communication, while the power is supplied separately.

The device natively has a miniaturized Faraday cage given by the lid that is directly put on the e16.

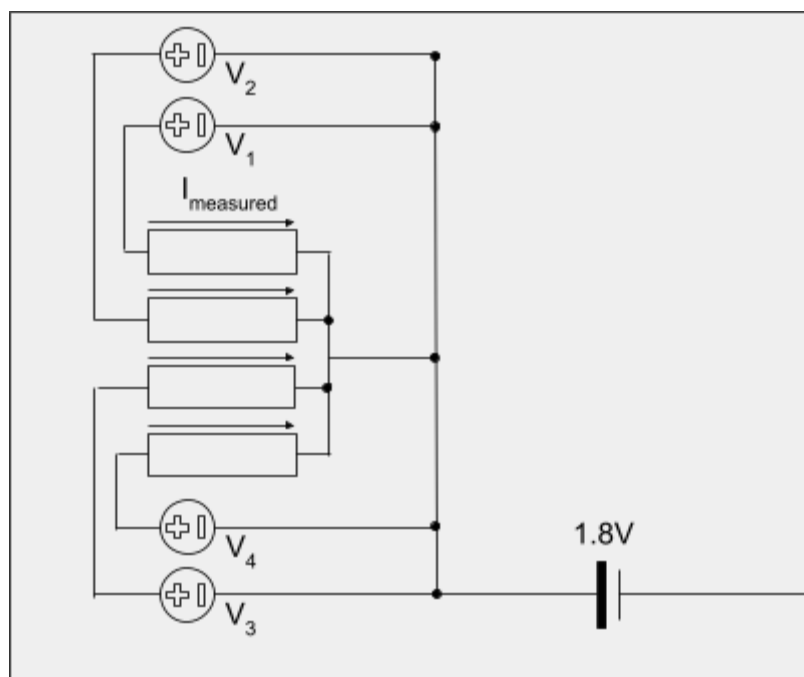


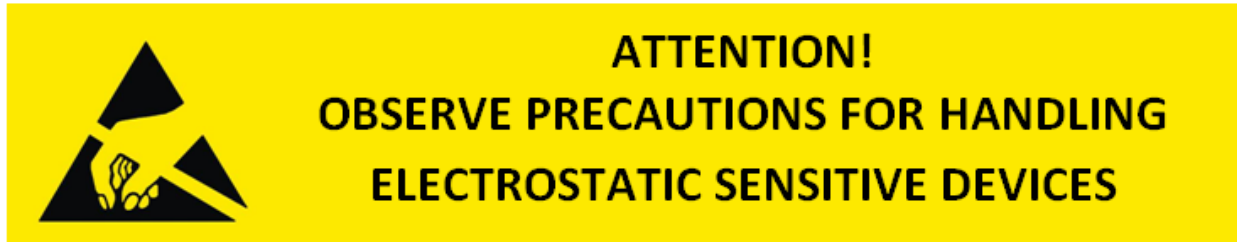


The figure below shows how to connect the e16 to the DUT and to the computer (only 4 channels are shown for clarity).



The scheme below shows how the control voltages are applied and the polarity of the acquired currents.





Connections best practices

The way the experiment is set up greatly affects the final quality of the measurements, especially in terms of signal to noise ratio.

In the following some best practices are described to help you get the most out of your device.

- **Reduce the length of cables connecting the DUT.** The longer the cables, the more likely they will collect EMI or create stray capacitances with nearby conductive surfaces (such as the Faraday cage). Ideally the experiment should happen within the device's integrated Faraday cage.
- **Avoid other instruments close to the DUT.** If possible, remove them or keep them off to reduce the noise as much as possible.
- **Select instruments close to the DUT.** If you need to use other instruments close to the DUT the best way to select your setup is to remove all of the instruments and check the noise in this optimal condition. Then, add one instrument at a time and turn it on, to check how much it affects the measurement. These checks should be performed with the e16 configured as it will during the actual experiment (especially same current range and sampling rate).
- **Proper grounding.** If you are using a desktop computer be sure to power it up with a grounded power outlet or power strip. If you are using additional instruments close to the DUT be sure to power them up from a common power outlet or power strip.