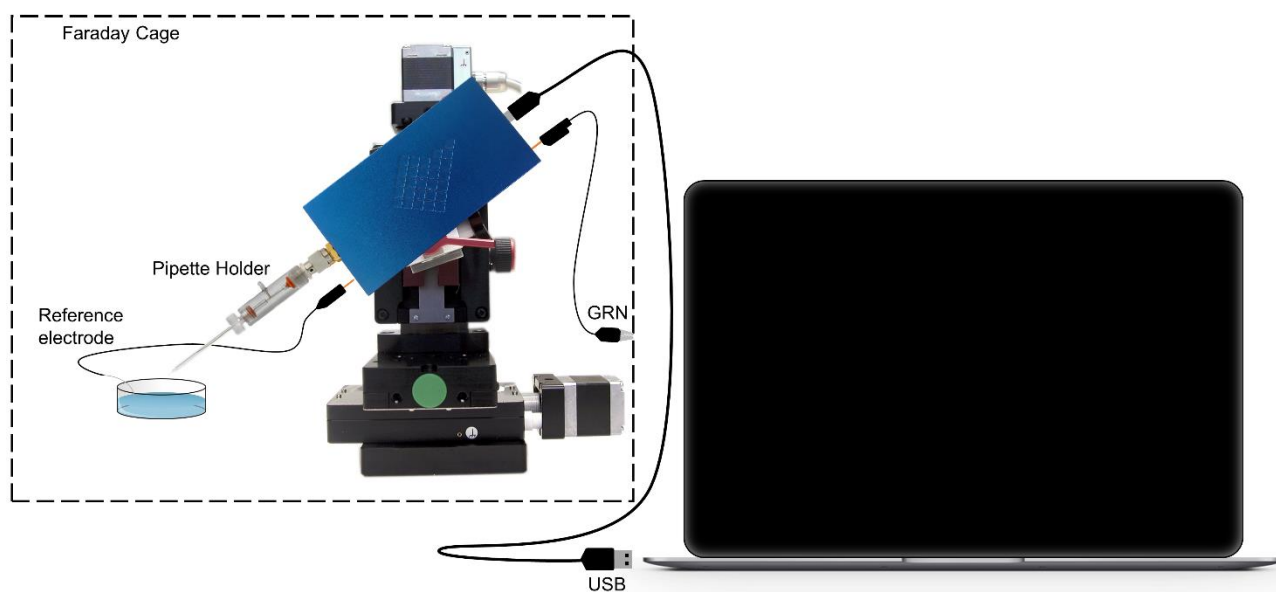




**ePatch**

**Elements patch clamp Miniaturized Amplifier**

## SETUP AND SOFTWARE INSTALLATION



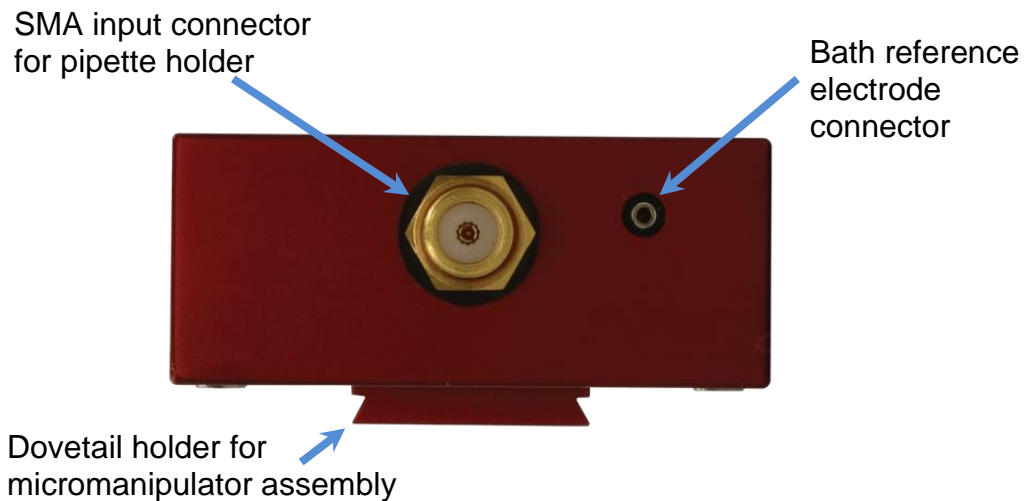
**elements**

*enabling technologies for Life Science*

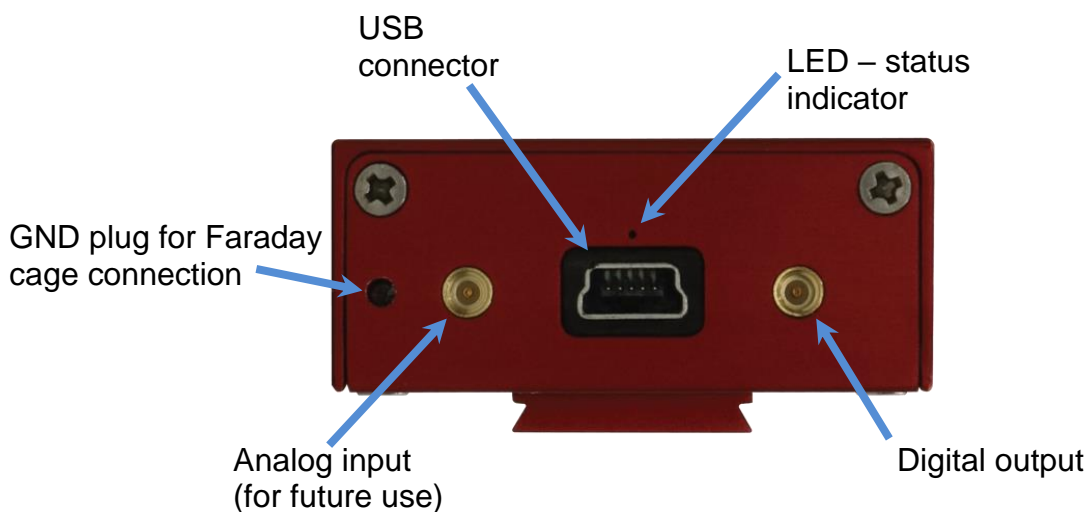
## ePatch package content

- ePatch amplifier
- USB cable
- Ground (GND) cable for Faraday cage connection
- Black wire with 1mm pin for bath reference electrode
- SMA Pipette holder
- SMA-BNC adaptor (if ordered)
- Digital-out port to BNC cable adaptor

## ePatch front side connectors



## ePatch back-side connectors





## Setup instructions

- Mount the ePatch on the micromanipulator using either the dovetail or the rod bar holder
- If you mount the SMA pipette holder, directly screw it to the SMA input connector of ePatch. If you use the BNC pipette holder you need the SMA-BNC adaptor to connect the holder to the SMA input of ePatch.
- Connect the 1mm pin to the bath reference electrode connector located on the front side of the amplifier. Insert a  $\varnothing$  0.5 mm Ag/AgCl wire to the other black wire plug or solder the reference electrode to the pin supplied and plug it to the black wire plug.
- Connect the GND cable to the port on the back of the amplifier and attach the clamp to the Faraday cage



**Warning:**  
**Do not short-circuit the pipette electrode or the reference electrode neither with the Faraday cage nor with the GND!**

The ePatch reference electrode voltage is different to the GND voltage. Short circuits or improper usage/handling could damage the amplifier.

## Software installation instructions

- Download EZ Patch software from our website <https://elements-ic.com/epatch-new/#Software> and launch the installation.
- Plug the ePatch device and wait for hardware driver installation (the driver installation may take some minutes).
- Run EZ Patch software and click the “Connect” button to launch the recording session.