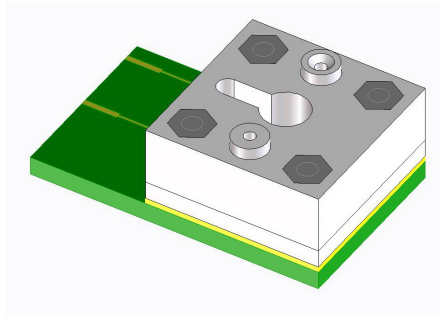
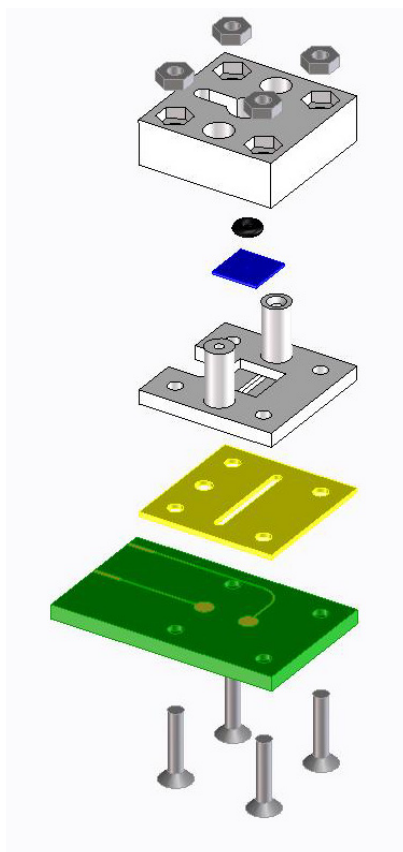


eNPR – NanoporeChip assembly instructions

This short user guide will show how to assembly the NanoporeChip and how to use it for nanopore experiments. The chip fully assembled looks like this.



Parts stack



Top fluidic

Sealing O-Ring

5x5 mm Nanopore

Bottom fluidic

Gasket

PCB with Ag electrodes

n. 4 M1.6x8mm screws

Assembly procedure

1. Chlorinate the silver electrodes on the PCB by adding a drop of bleach on each electrode at least 10 min.
2. Clean the gasket and the O-Ring with Isopropanol or Ethanol, rinse and dry.
3. Clean the nanopore chip with Isopropanol or Ethanol, rinse and dry.
4. Assembly the NanoporeChip according to the stack above.
5. Insert the NanoporeChip into the eNPR reader.
6. Fill the bottom fluidic channel with 30 μ l of buffer.
7. Fill the top fluidic channel with 60 μ l of buffer.